



TD11-100k/45 THYRATRON

Certificate. Certificate of Quality.

4. Warranty

All valves manufactured by "Pulsed Technologies Co. Ltd." (The Manufacturer) are guaranteed to be free of defects in workmanship, materials and construction and are designed to give satisfactory service when used under normal operating conditions. The Manufacturer guarantees conformity of thyratrons to the parameters specified in the appropriate clause of the thyratrons' certificate within a period of 12 months from the date of delivery, confirmed by shipping documents, or within a minimum operating time equal to 5×10^4 pulses, either within a filament life of 1000 hours whichever comes first. The above conditions should be considered provided the thyratrons are treated in accordance with the technical parameters stated in the appropriate clause of the thyratrons' certificate (p.1.1).

For valves failing before expiration of operating time 10^4 pulses, a valve may at the option of Manufacturer be replaced free of charge or credited in full, provided that the filament life guaranteed has not expired. For valves failing with a filament life in excess of the initial period up to operating time 10^4 pulses, but less than the total warranty minimum operating life, replacement or credit will be given on pro rata basis determine by the ratio of the unrealised portion of the warranted operating life to the total warranty minimum operating life. The operating life is considered to start when the valve is first put into service, even though it may subsequently be removed and held as a spare.

Conditions of Warranty. The warranty is valid only if the following conditions are met :

1. The valve is supplied direct from the Manufacturer or via an agency, representative or other selling medium authorized by Manufacturer.
2. The valve is operated within the published minimum and maximum ratings, provided that safety devices for protection against overcurrent in terms of average current are fitted and operation time counter is used.
3. The valve is not subjected to any negligence in use, storage, transportation or handling.
4. The decision of Manufacturer on the cause of failure and on the value and form of any applicable allowances is accepted by the customer.
5. Right of access to equipment for the purpose of checking operating conditions is granted to any representative of Manufacturer where Manufacturer may so require.
6. Manufacturer is notified within 30 days of the valve failure.
7. The valve is withdrawn from service as soon as possible after the failure is alleged to have occurred.

5. Claims Information. In case of a premature failure of a thyatron it should be returned to the Manufacturer within 30 days together with the Certificate stating the following information:

Storage time _____
 Date of putting into operation _____
 Date of failure _____
 Specifications of a mode of operation _____

Operating time in the specified mode _____ of hours (total switched charge).
information about operating conditions, cause of failure.

The reasons for removal of a thyatron from operation _____
 The items of information are filled _____

(Date, signature)

In case of absence of the filled passport the claim is not accepted.

Individual № _____, Manufacturing date _____

Address: "Pulsed Technologies Co. Ltd." 5, Yablochkova Str., 390023 Ryazan, Russia.

Tel./fax: +7 (4912) 24-9217, tel.: +7(4912)24-0519,

E-mail: pulsetech@mail.ru, info@pulsetech.ru

Web site: <http://www.pulsetech.ru>

TD11-100k/45 thyatron (Copper Arc Thyatron, Grounded Grid Thyatron) is intended for use as a switch tube in pulse circuits of capacitive storages with submicrosecond and microsecond pulse duration. The thyatron is manufactured in conformity with technical conditions KBФM.433.212.014TY for use in various process installations for domestic as well as export delivery.

1. Basic Technical Data.

The pulse thyatron features a compact two high-voltage sections, stacked ceramic-metal construction. Thyatron filled with hydrogen as buffer gas under the pressure of $20 \div 60$ Pa in operational mode only. Semiconductor discharge ignitor is used to trigger the switch. Special dielectric coating protects the internal surface of the envelope against damage in emergency when anode reverse voltage increases up to 100% of forward voltage. The tube is environmental-friendly product, has internal shield for minimization of X-Ray emission from the region of anode. Design of the thyatron is covered by Russian Federation patents ## 1807798, 2300157, International Patent PCT/RU 2005/000298US, US Patent Application #11/921,431.

1.1. Electrical Parameters in Optimum Operation Mode

Parameter	Value	Fact. value
Forward anode voltage, <i>kV</i>	5÷35	
Peak forward anode current, <i>kA</i>	50	
Anode current 1st half-wave width, μs *	5.0	
Pulse repetition rate, <i>Hz</i>	0.5	
Heater voltage, <i>V</i> , (not less/not more)	3.0/7.0	
Heater current (at $U_h =$ V), <i>A</i> , not more	2.5	
Peak open circuit trigger voltage, <i>kV</i> , (not less/not more)	3.5/6.0	
Peak trigger current, <i>A</i> , (not less/not more)	80/120	
Trigger current pulse duration, μs	2÷5	
Tube warm-up time, <i>minutes</i> ,	5.0	

* - damped discharge

1.2. Absolute ratings (maximus, nonsimultaneous)*

Parameter	Value
Peak forward anode voltage, <i>kV</i> (Notes 1, 2)	2÷45
Peak reverse anode voltage, <i>kV</i> (Notes 3)	35
Peak forward anode current, <i>I_b</i> , <i>kA</i>	150
Peak reverse anode current, <i>I_{bx}</i> , <i>kA</i> (Note 4)	up to 10% of <i>I_b</i>
Maximum anode current rise rate, <i>A/s</i> (Note 5)	$3 \cdot 10^{12}$
Anode current pulse duration, μs	0.1÷100.0
Pulse repetition rate, <i>f</i> , <i>Hz</i> (Note 6)	300
Switched energy per shot, <i>J</i>	20 000
Anode Dissipation Factor ($P_b = V \times A \times pps$) (Note 6)	$70 \cdot 10^9$
Root mean square current, $RMS = \sqrt{I_b \times i_b}$ ($i_b = C \cdot U \cdot f$) (Note 6)	700
Peak open circuit trigger voltage, <i>kV</i> , (not less/not more)	3.0/10.0
Peak trigger current, <i>A</i> , (not less/not more)	80/150
Rate of rise of ignition voltage pulse, <i>kV/μs</i> , not less	5.0
Time Jitter, <i>ns</i> (Note 7)	3-4

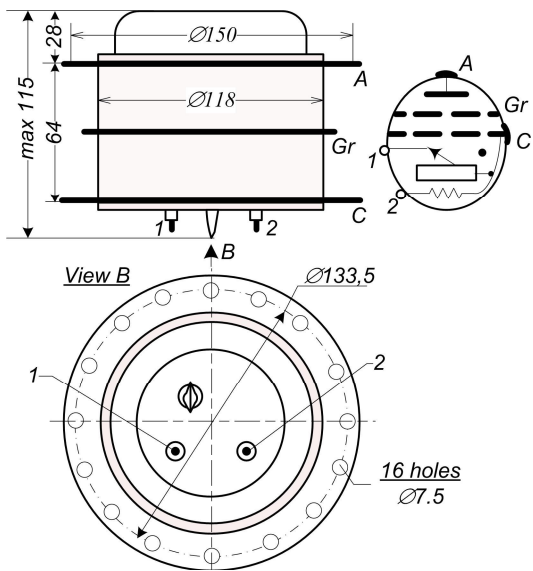
Notes *Operation of the thyatron when two or more parameters listed in p.1.1 are exceeded simultaneously may be permitted only upon agreement with the Manufacturer.

¹⁾ Immerse the tube into SF₆, N₂ or oil when operating at voltage over 35 kV.

²⁾ The dwell time at the peak anode voltage should be minimized in order to minimize pre-firing. For operation at the rated peak forward anode current, the dwell time must be less than 0.5 of pulse period, but must not exceed 1 millisecond.

- 3) After the thyatron anode current ceases and before voltage is reapplied to anode, the anode voltage must be kept between minus (100 - 5000) Volts for at least 100 μ s for buffer gas deionization.
- 4) For flat anode variant TD11-50k/45. For hollow anode TD11-50k/45H reverse current up to 98% of Ib.
- 5) The ultimate value depends on the external circuit parameters.
- 6) $P_b > 10^4$ and $RMS > 50$ can be achieved in burst mode only ($i_b = CUaf$ – average current, C – switching capacitance). Burst and pause durations must be agreed with the Manufacturer.
- 7) Low-energy, high-rate of rise of trigger voltage pulse trigger system by a cable pulse generator (fig.2).

- 1.3. Lifetime expectancy specified in item 1.1 - 5×10^6 Coulomb.
- 1.4 Overall dimensions ($\varnothing_{\text{cathode flange}} \times H_{\text{max}}$), mm - 152x115.
- 1.5. Weight - not more than 3.5 kg.



2. A diagram of electrodes connection

- A - Anode;
- Gr - Gradient grid;
- C - Cathode, heater, igniter lead (+);
- 1 - Trigger negative pulse;
- 2 - Heater ($R_{\text{res}} \sim 1\Omega$).

ATTENTION! It is required in all circuits to observe carefully the polarity of trigger voltage applied to the appropriate leads of the ignitor and to provide symmetry of current pick-off from cathode and anode flanges relative to the axis of the device (J. Slough, C. Pihl, V. D. Bochkov, et al, «Prospective Pulsed Power Applications Of Pseudospark Switches», 17th IEEE International Pulsed Power Conference, 2009, Washington, DC, pp. 255-259).
The thyatrons must be handled carefully in order to prevent mechanical effect on the leads 1 u 2 exceeding 3 kgs in axial direction and 1 kgs in direction perpendicular to the axes. **It is strictly forbidden to expose the leads 1 and 2 to impacts.**

3. Operation Guidelines

- 3.1. Trigger negative negative signal must be applied to the tail 1 of the thyatron. Resistance of igniter within warranty period is 10k Ω -200 M Ω .
- 3.2. For reliable operation of the thyatrons use the pulse driver PB-3D providing powering of auxiliary electrodes in conformity with rated parameters. The driver is designed and manufactured by Pulsed Technologies Co. Ltd.
- 3.3. Switching sequence: a) apply heater voltage to the appropriate tail; b) allow the heater to warm up for not less than 5 min; c) apply pulsed ignition voltage to the igniter, apply anode voltage (30-50% of maximum level), smoothly raise the anode voltage to the operating level. It is permitted to simultaneously switch on heater and trigger voltages.
- 3.4. The maximum-allowed temperature of cathode, anode and grid flanges is +120°C. If exceeded, a forced air or liquid (oil) cooling must be used. Air flow rate is to be not less than 2.5 m³/min at 25°C \pm 10°C of thermofoir.
- 3.5. When switching off voltages first switch off anode voltage, then all the rest voltages. It is permitted to switch off all voltages simultaneously.
- 3.6. For ensuring warranty period of operation in modes different from those specified in p.1.1 it is necessary to select voltage of the heater subject to certain mode of thyatron operation. For this purpose (with nominal load) increase heater voltage by steps of 0.1-0.3 V from the value specified in the certificate staying at each value for 2-3 minutes before appearance of signs of unstable operation (transition to higher frequency or to continuous discharge). In appearance of the signs switch off anode voltage, reduce heater voltage of the generator of hydrogen by 0.1-0.2 V and within a minute

- switch on anode voltage and maintain it for 5-10 minutes. At steady operation fix the given heater voltage. Further it is desirable to repeat this procedure after every total 10⁴ C of operation.
- 3.7. After transportation or a long period of storage regulated seasoning at operation conditions within not less than 30 minutes is required. When aging the thyatron, anode voltage must be raised gradually by steps of 3-5 kV from minimum peak voltage of 10-15 kV up to peak forward anode voltage. The criteria of successful seasoning at each step will be an absence of misfires within 3-5 minutes.

Recommended Circuit for Ignition Pulse Generator

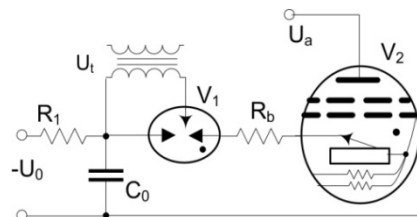
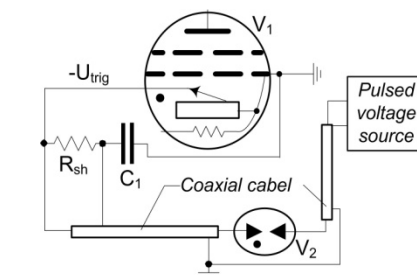


Fig.1. The electrical schematic of a triggered spark gap based ignition pulse generator.
V₁ - RU83-6
R₁=10k Ω , R_b=(0-50) Ω ,
C₀=(0.01-0.2) μ F.

Version of Ignition Pulse Generators



The electrical schematic of low-jitter (<5 ns), low-energy, trigger system cable pulse generator.
(V.A.Gribkov, M.Scholz, V.D.Bochkov, A.V.Dubrovsky, R.Miklaszewski, L.Karpinski, S.Lee, P.Lee, Pseudosparks in nanosecond range of its operation: firing, jitter, and disconnection, Journal of Physics D: Appl. Phys. 37, 2004, 2107-2111.)
U₀=8-12 kV, C₁=(0.01-0.2) μ F
V₂- spark gap RU84-6;
cable length ~ 6 m;

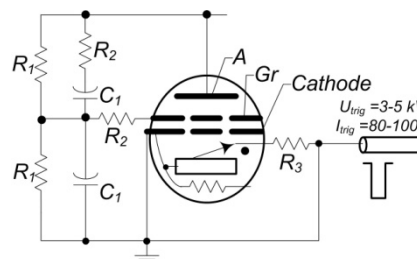


Fig. 3. Principal circuit of gradient grid feed.
C₁=(0.3-0.5) nF, R₁=(5-20)M Ω ,
R₂=470 Ω

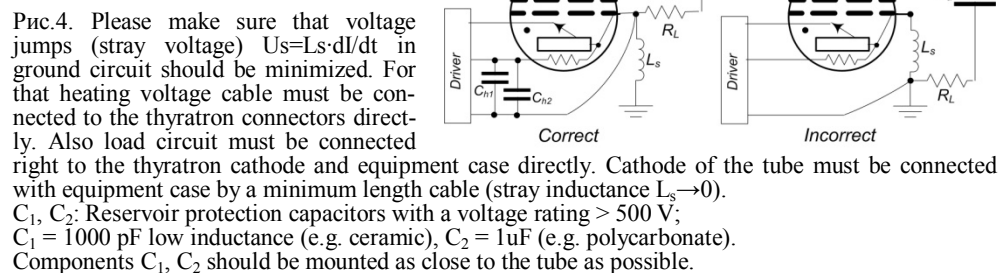


Рис.4. Please make sure that voltage jumps (stray voltage) $U_s = L_s \cdot dI/dt$ in ground circuit should be minimized. For that heating voltage cable must be connected to the thyatron connectors directly. Also load circuit must be connected right to the thyatron cathode and equipment case directly. Cathode of the tube must be connected with equipment case by a minimum length cable (stray inductance $L_s \rightarrow 0$).
C₁, C₂: Reservoir protection capacitors with a voltage rating > 500 V;
C₁ = 1000 pF low inductance (e.g. ceramic), C₂ = 1 μ F (e.g. polycarbonate).
Components C₁, C₂ should be mounted as close to the tube as possible.